

Nokia Customer Care

Service Manual

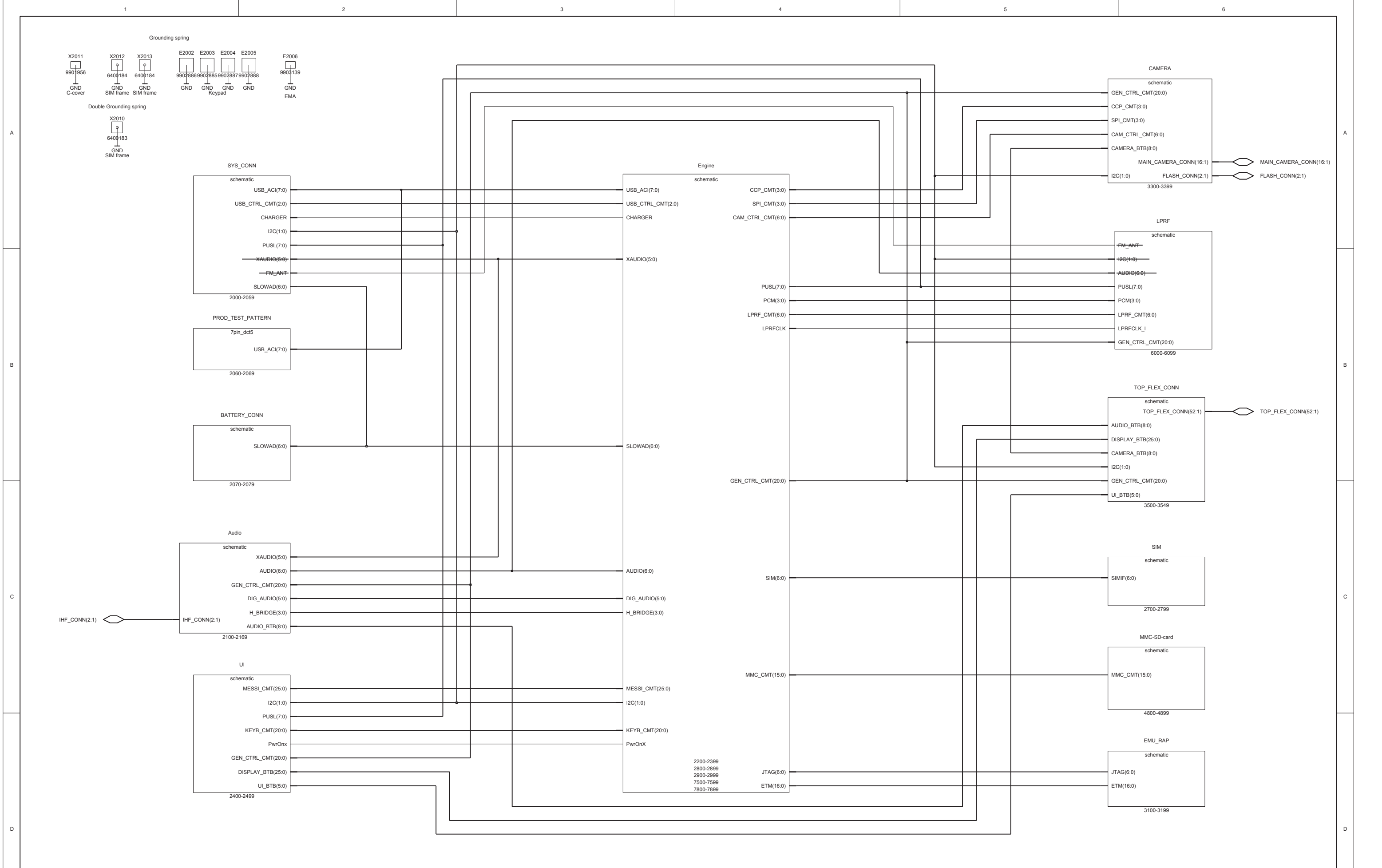
RM-325 (Nokia 6600 fold)

Schematics

Part No: (Issue 1)

COMPANY CONFIDENTIAL

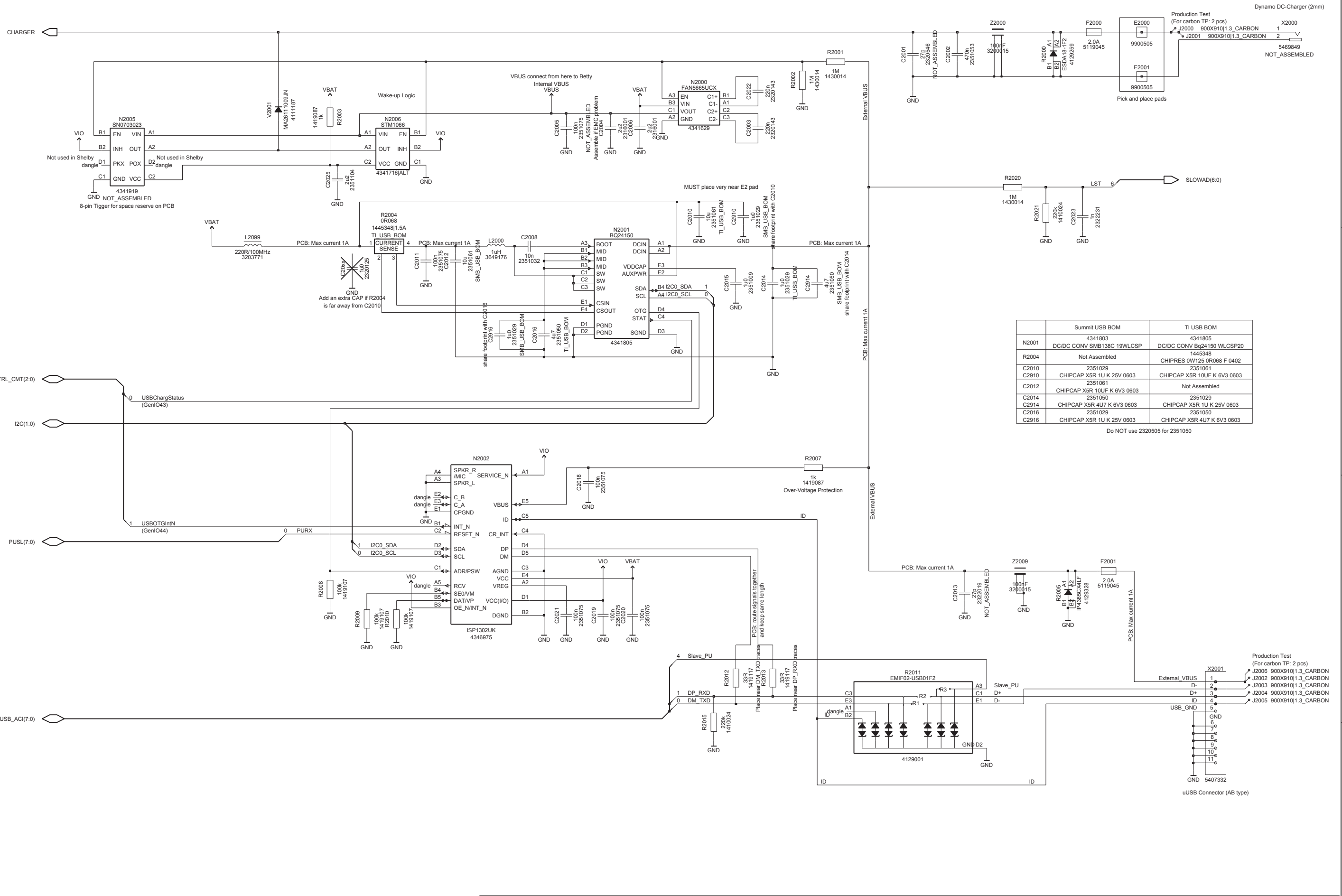




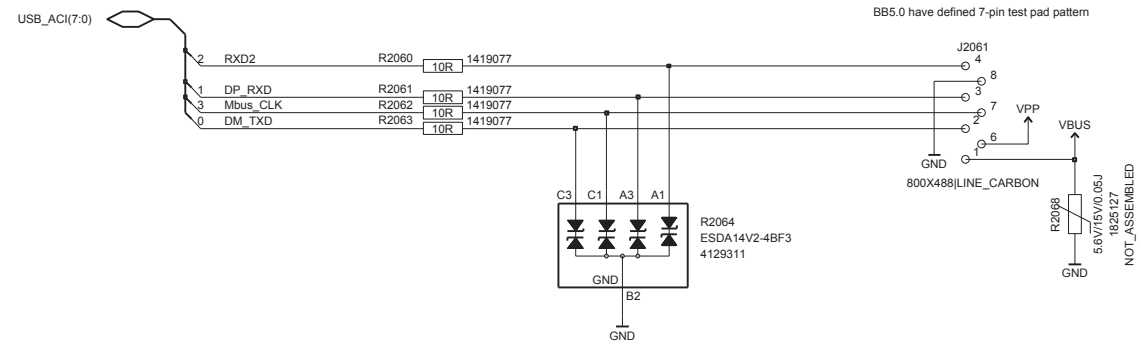
Copyright (C) Nokia Corporation. All rights reserved.
 THIS DRAWING IS PROTECTED BY COPYRIGHT AS AN UNPUBLISHED WORK.
 UNAUTHORIZED REPRODUCTION OF THIS DRAWING IS NOT PERMITTED.
 THIS DRAWING CONTAINS PROPRIETARY AND CONFIDENTIAL INFORMATION.
 This document is property of Nokia Corporation



Name: Top Sheet
 Appr: dd-mmm-yy



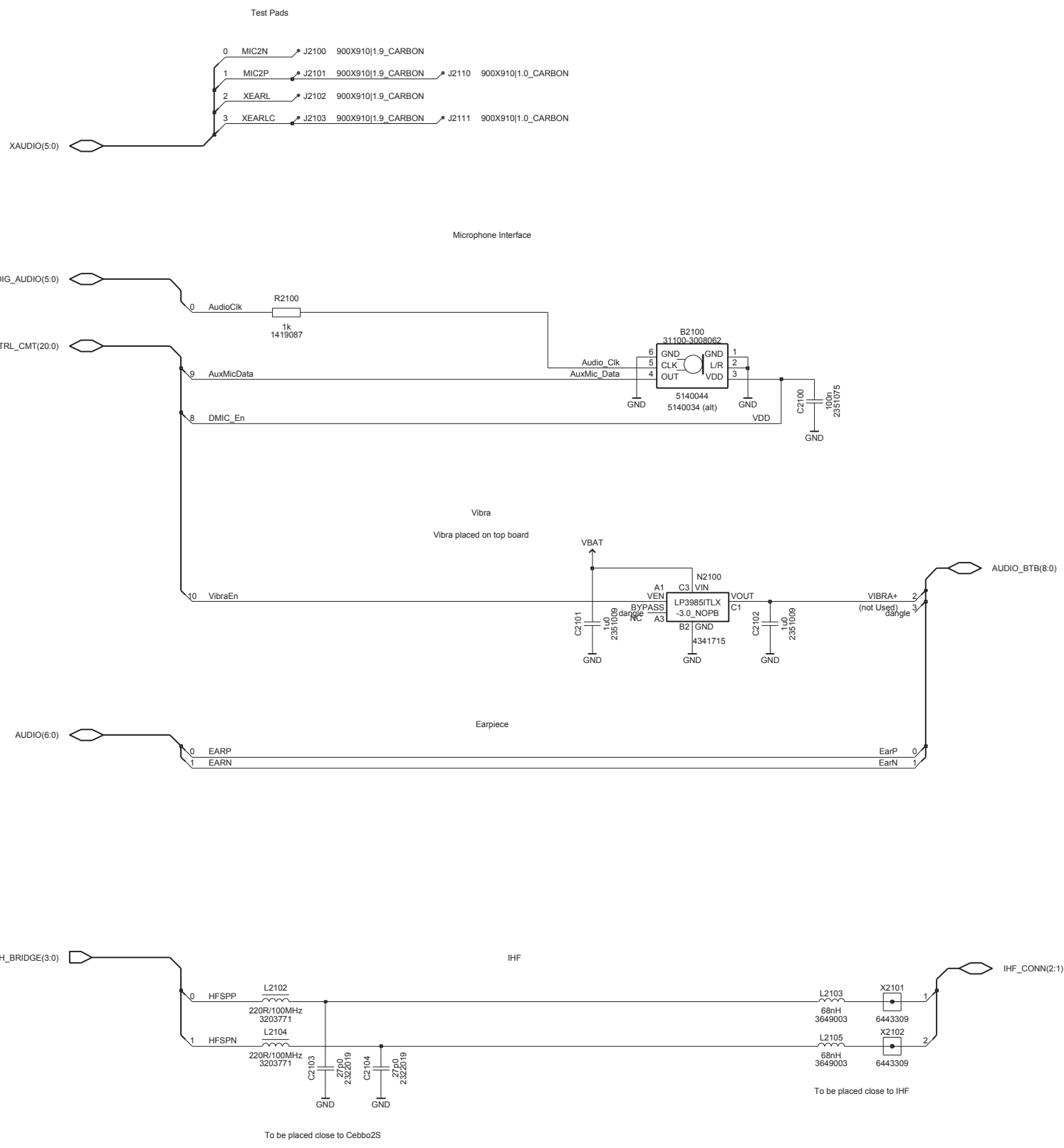
Traceability pad



Copyright (C) Nokia Corporation. All rights reserved.
 THIS DRAWING IS PROTECTED BY COPYRIGHT AS AN UNPUBLISHED WORK.
 UNAUTHORIZED REPRODUCTION OF THIS DRAWING IS NOT PERMITTED.
 THIS DRAWING CONTAINS PROPRIETARY AND CONFIDENTIAL INFORMATION.
 This document is property of Nokia Corporation




Name Production test pattern Appr

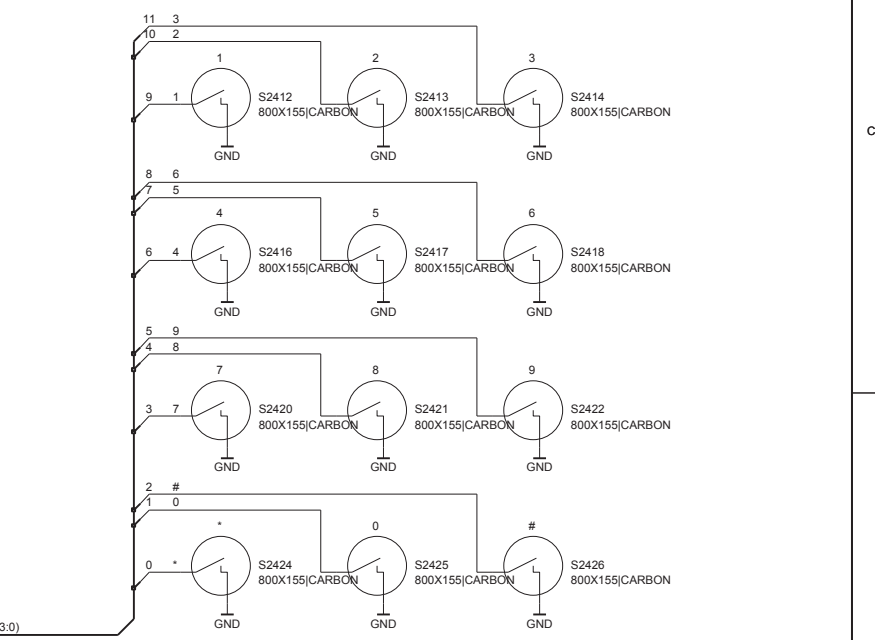
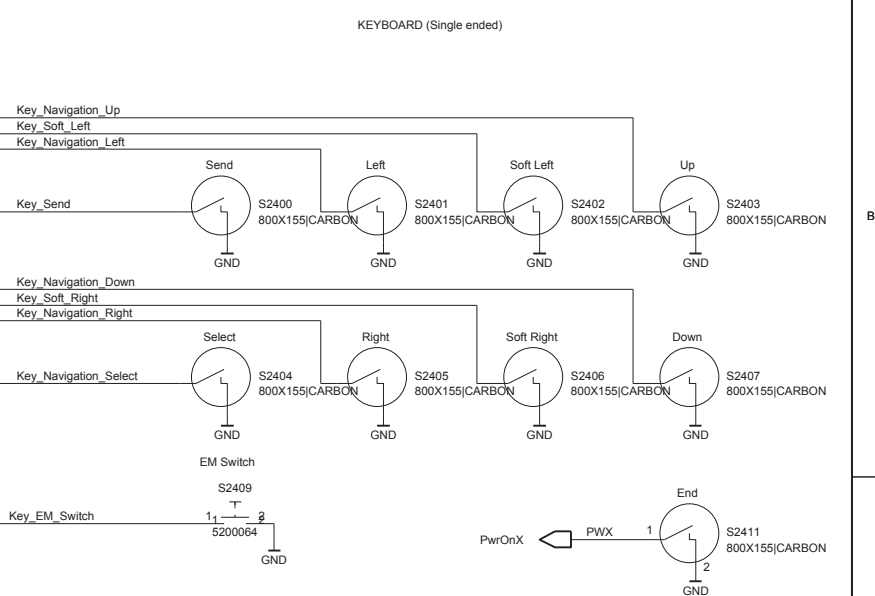
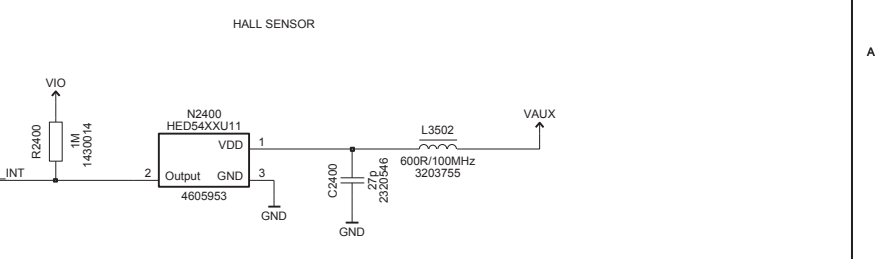
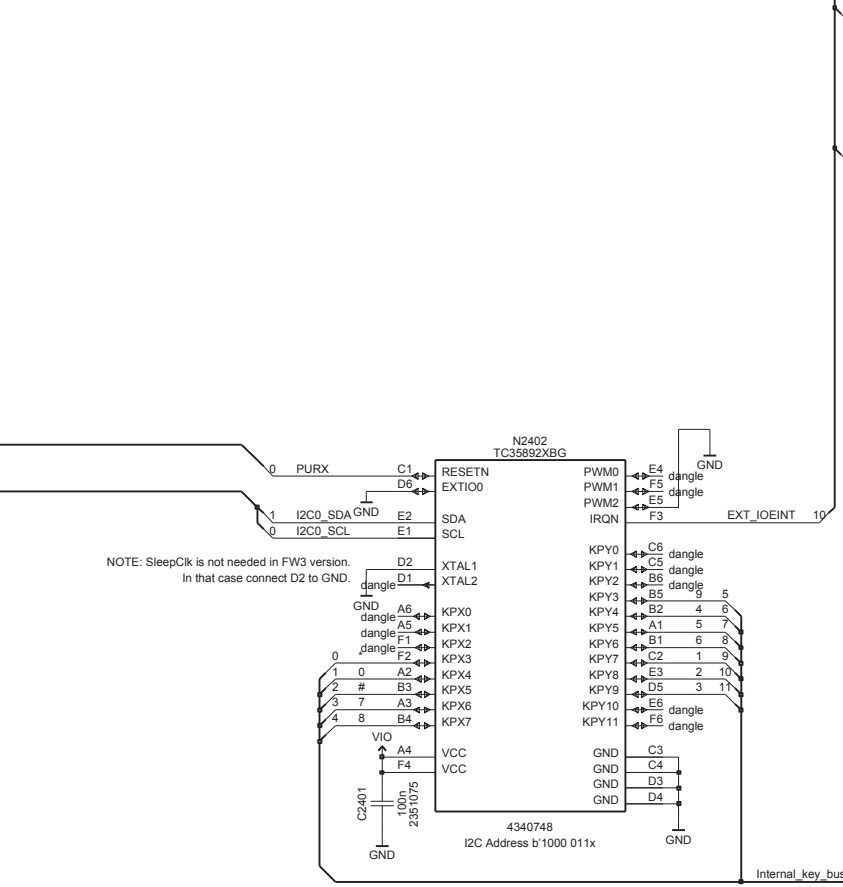
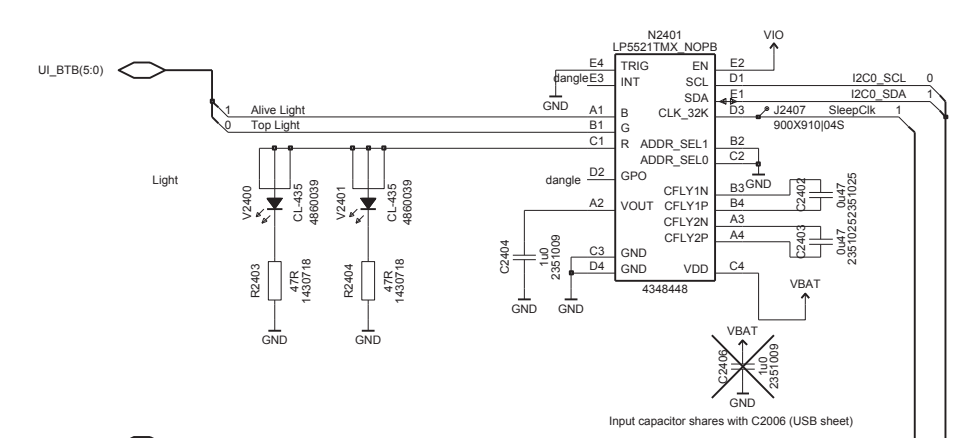
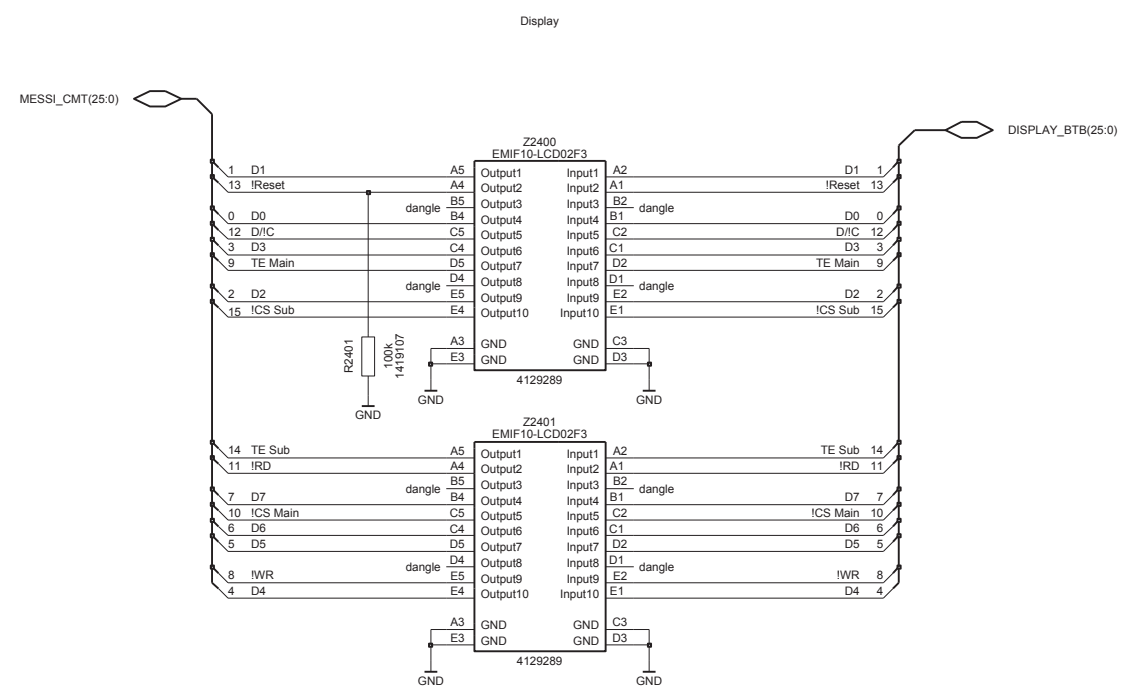


NOTE:
IHF lines must be wide and low impedance

Copyright (C) Nokia Corporation. All rights reserved.
 THIS DRAWING IS PROTECTED BY COPYRIGHT AS AN UNPUBLISHED WORK.
 UNAUTHORIZED REPRODUCTION OF THIS DRAWING IS NOT PERMITTED.
 THIS DRAWING CONTAINS PROPRIETARY AND CONFIDENTIAL INFORMATION.
 This document is property of Nokia Corporation



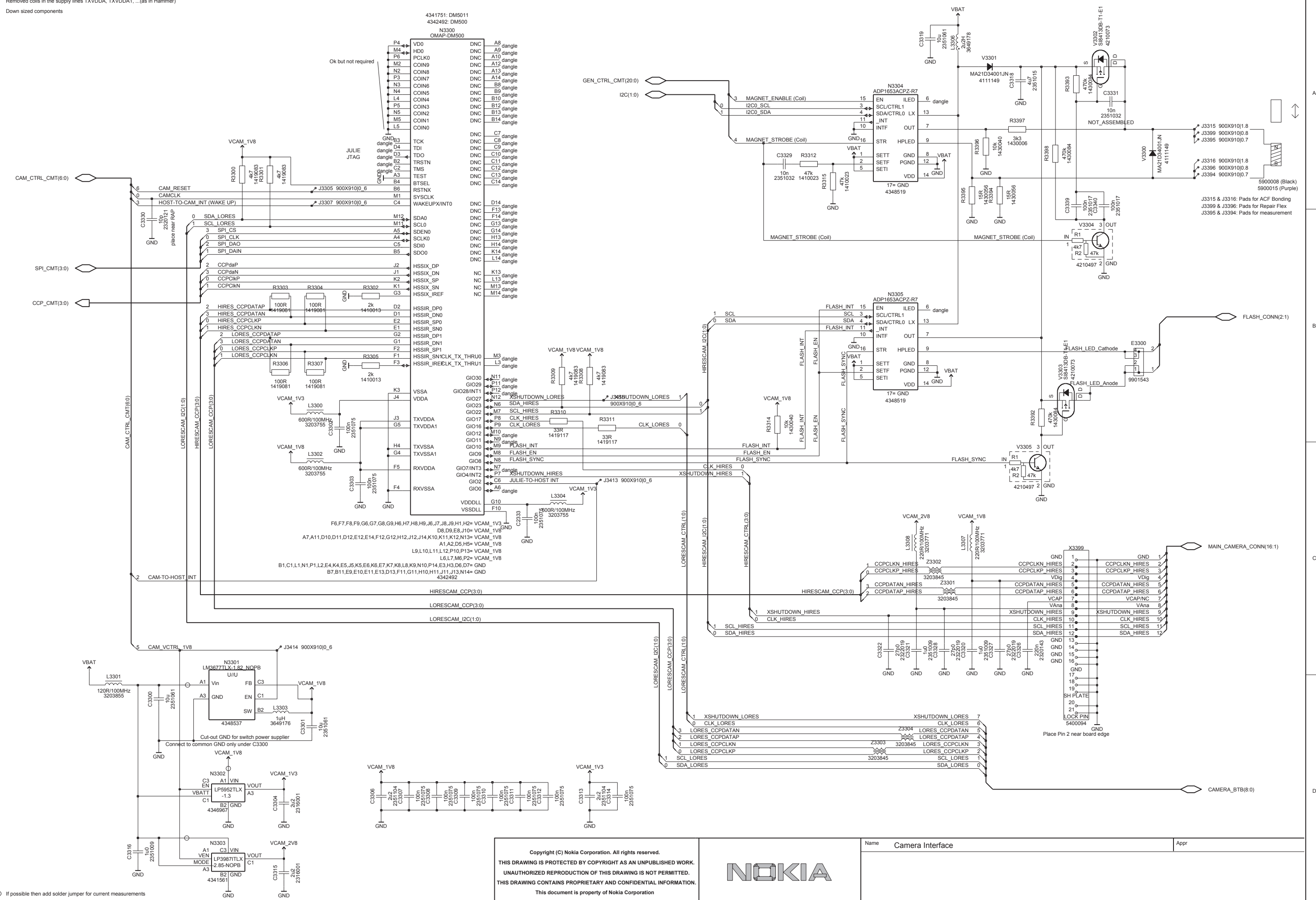
Name	Audio interface	Appr
------	-----------------	------



NOTE: SleepClk is not needed in FW3 version.
In that case connect D2 to GND.

Added R3411 to Clk Lores
 Removed coils in the supply lines TXVDDA, TXVDDA1, ... (as in Hammer)
 Down sized components

4341751: DM5011
 4342492: DM500



Copyright (C) Nokia Corporation. All rights reserved.
 THIS DRAWING IS PROTECTED BY COPYRIGHT AS AN UNPUBLISHED WORK.
 UNAUTHORIZED REPRODUCTION OF THIS DRAWING IS NOT PERMITTED.
 THIS DRAWING CONTAINS PROPRIETARY AND CONFIDENTIAL INFORMATION.
 This document is property of Nokia Corporation



Name: Camera Interface
 Appr: _____

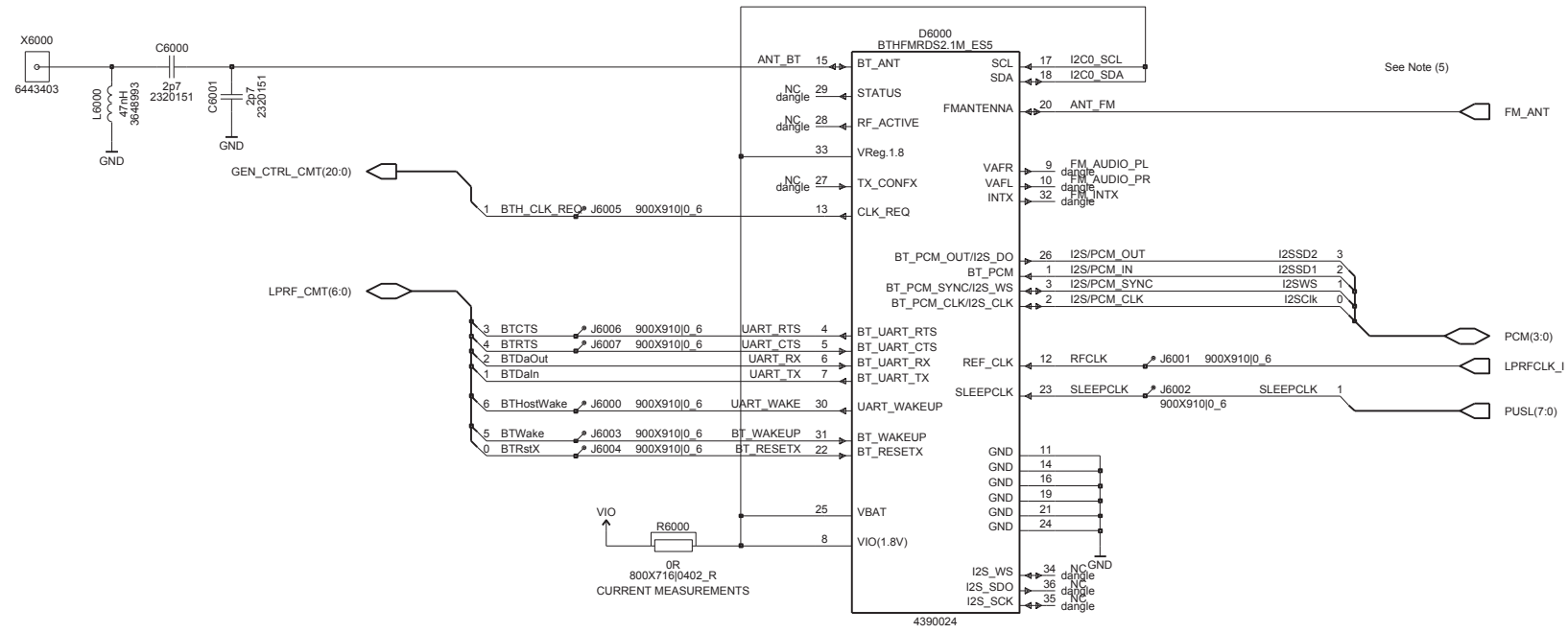
○ If possible then add solder jumper for current measurements

J3315 900X910|1.8
 J3399 900X910|0.8
 J3395 900X910|0.7
 J3316 900X910|1.8
 J3396 900X910|0.8
 J3394 900X910|0.7
 5900008 (Black)
 5900015 (Purple)
 J3315 & J3316: Pads for ACF Bonding
 J3399 & J3396: Pads for Repair Flex
 J3395 & J3394: Pads for measurement

MAIN_CAMERA_CONN(16:1)
 1 GND
 2 CCPCCLKN_HIRES
 3 CCPCCLKP_HIRES
 4 VDIg
 5 CCPDATAN_HIRES
 6 CCPDATAP_HIRES
 7 VCAP/N
 8 VAna
 9 XSHUTDOWN_HIRES
 10 CLK_HIRES
 11 SCL_HIRES
 12 SDA_HIRES

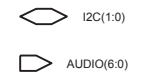
CAMERA_BT(8:0)
 1 GND
 2 SH PLATE
 3 LOCK PIN
 4 5400094
 5 GND
 6 GND
 7 GND
 8 GND

BLUETOOTH & FM RADIO MODULE INCLUDING RF FILTER



Notes

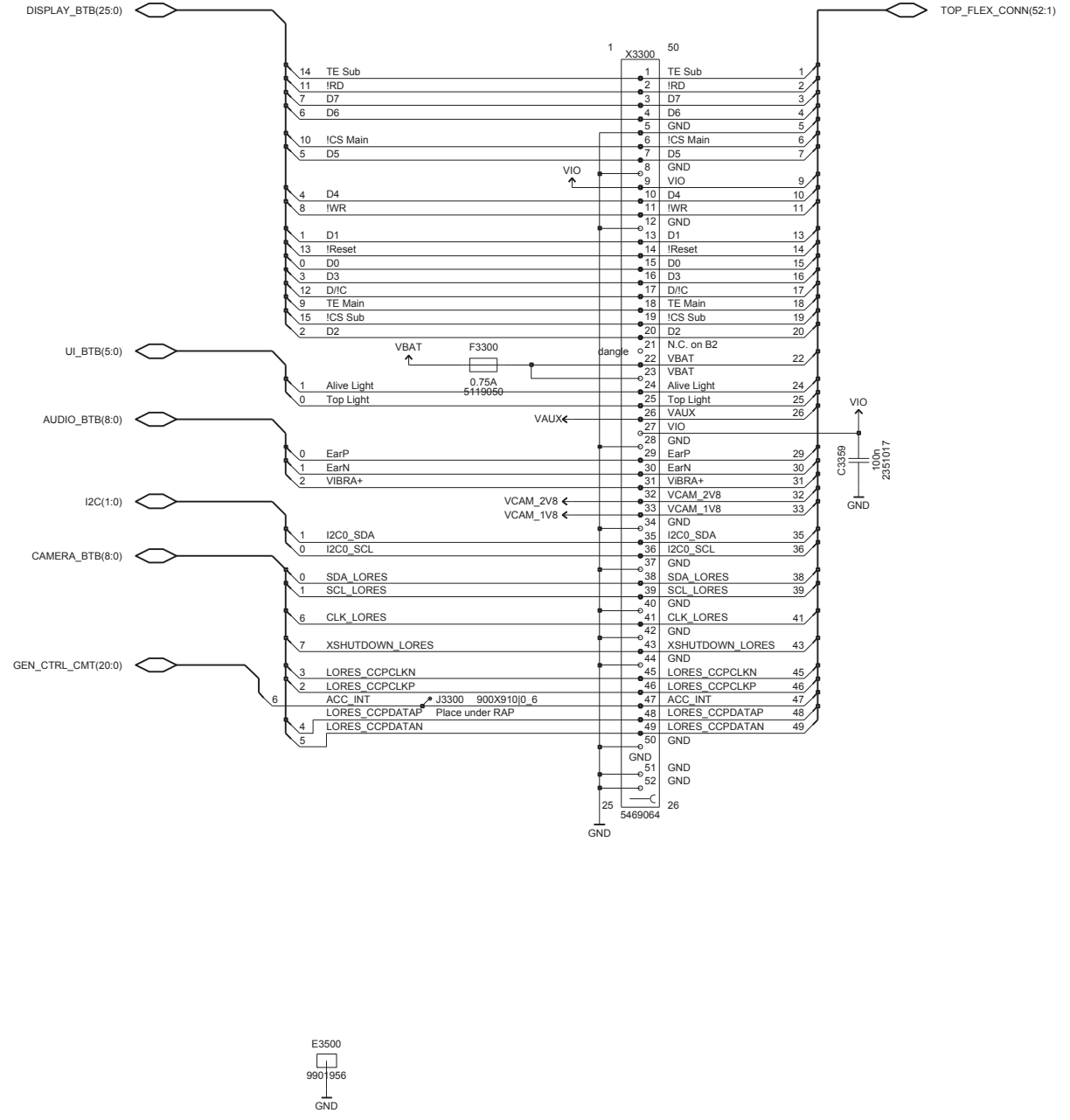
- (5) 3k3 Pull-up Resistors are required on I2C_SCL, I2C_SDA.
- (7) Pins marked NC should be Not Connected.



Copyright (C) Nokia Corporation. All rights reserved.
 THIS DRAWING IS PROTECTED BY COPYRIGHT AS AN UNPUBLISHED WORK.
 UNAUTHORIZED REPRODUCTION OF THIS DRAWING IS NOT PERMITTED.
 THIS DRAWING CONTAINS PROPRIETARY AND CONFIDENTIAL INFORMATION.
 This document is property of Nokia Corporation



Name BTHFMRDS Appr

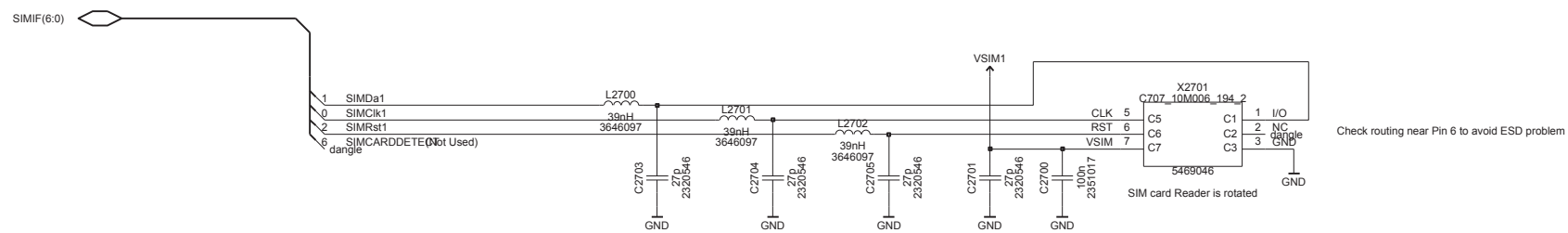


NOTE:
Earpiece lines must be wide and low impedance

Copyright (C) Nokia Corporation. All rights reserved.
THIS DRAWING IS PROTECTED BY COPYRIGHT AS AN UNPUBLISHED WORK.
UNAUTHORIZED REPRODUCTION OF THIS DRAWING IS NOT PERMITTED.
THIS DRAWING CONTAINS PROPRIETARY AND CONFIDENTIAL INFORMATION.
This document is property of Nokia Corporation



Name Main board to top flex Interface Appr



Route SIM_CLK and SIM_IO signals as striplines (EMC)

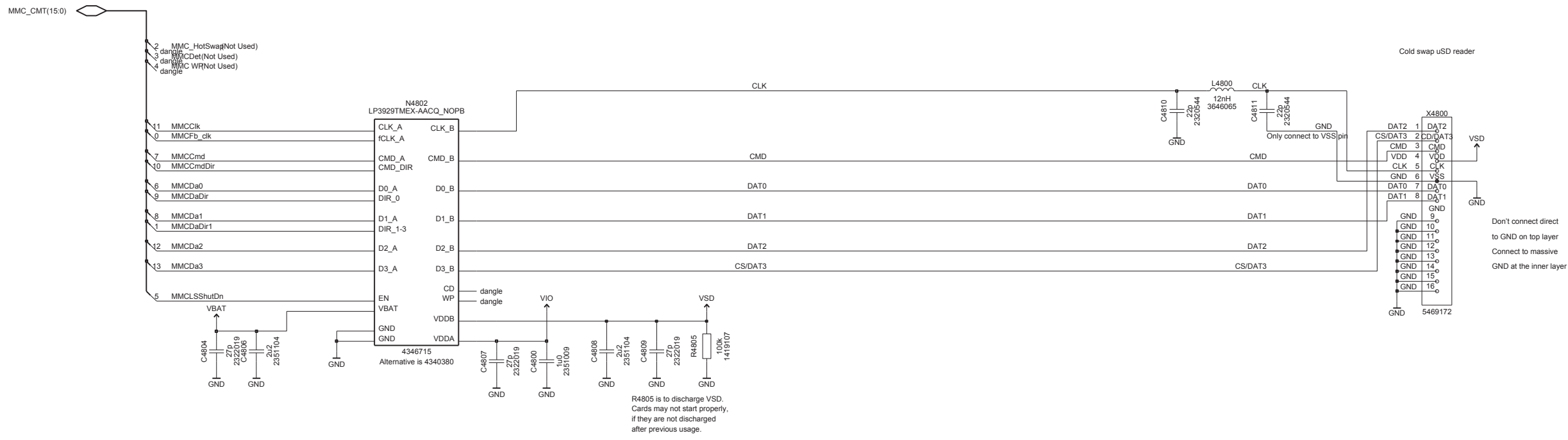
Use gnd to protect other signals (ESD)

Use together with Vilma

Copyright (C) Nokia Corporation. All rights reserved.
 THIS DRAWING IS PROTECTED BY COPYRIGHT AS AN UNPUBLISHED WORK.
 UNAUTHORIZED REPRODUCTION OF THIS DRAWING IS NOT PERMITTED.
 THIS DRAWING CONTAINS PROPRIETARY AND CONFIDENTIAL INFORMATION.
 This document is property of Nokia Corporation



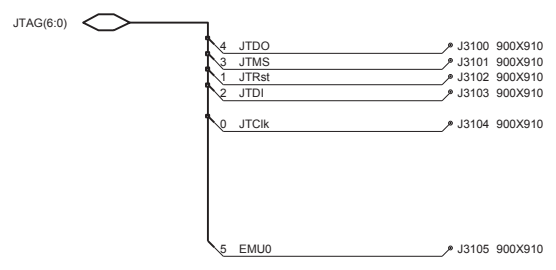
Name SIM Interface Appr dd-mmm-yy



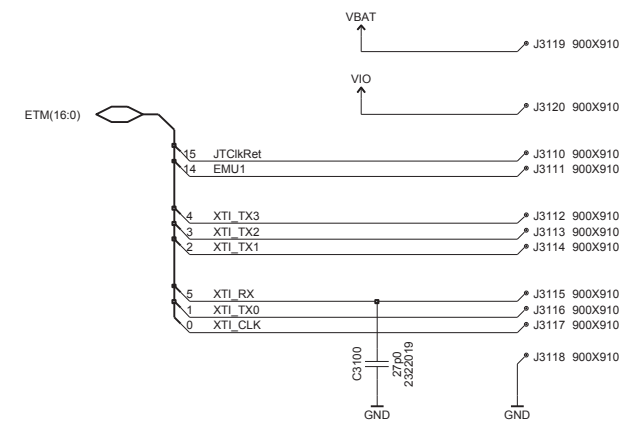
If SD regulator far away from connector bigger capacitor (C3205) may be needed.

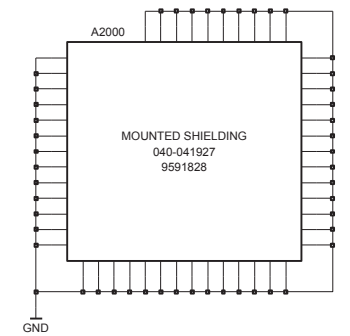
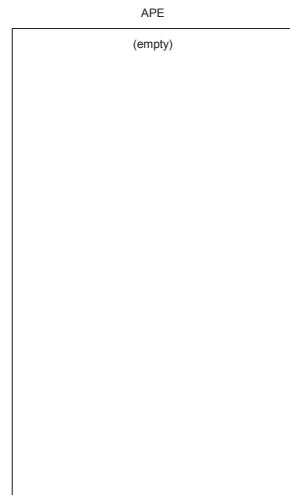
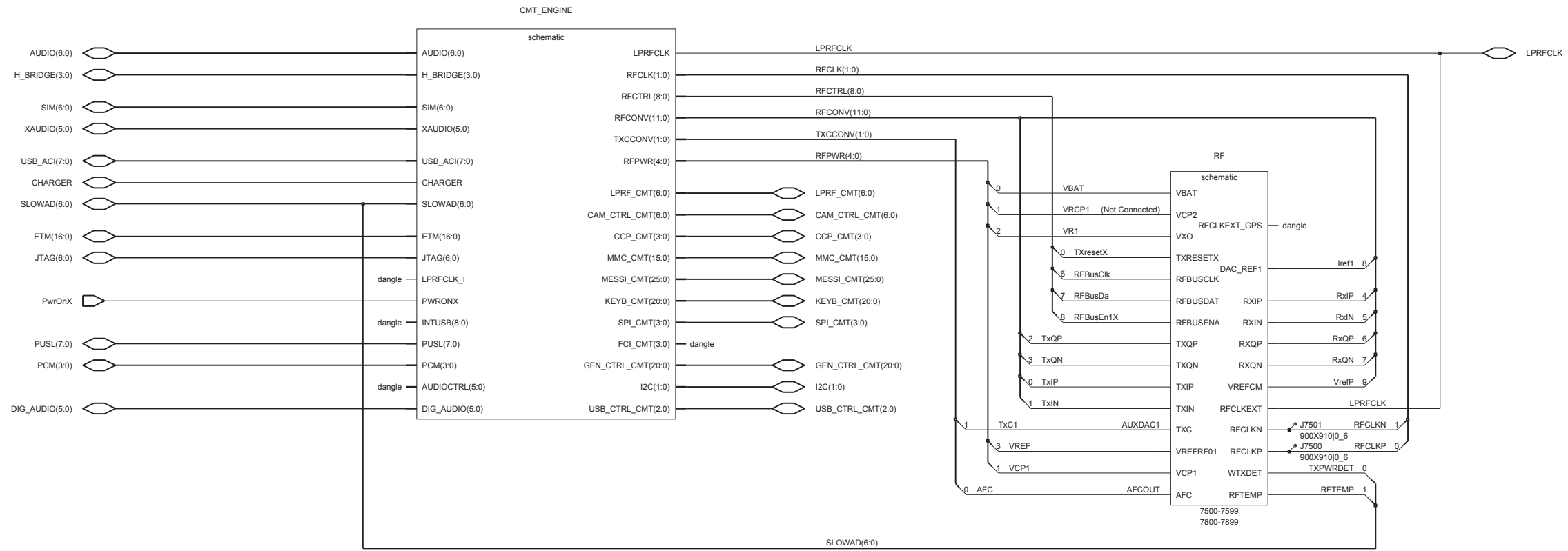
PIN 3 GND MUST NOT BE CONNECTED TO TOP LAYER GND
ALL LINES MUST BE SEPARATED AND SURROUNDED BY GND
CLK and DATA lines must be placed in strip-line layer
and routed with GND on all sides (transmission line)

JTAG Interface



ETM Interface



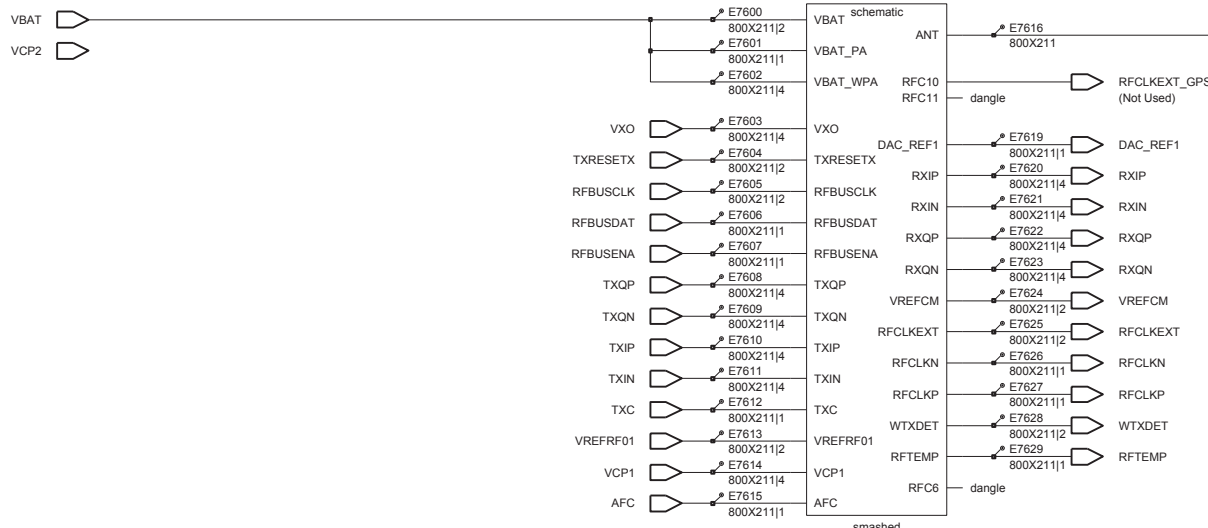


Copyright (C) Nokia Corporation. All rights reserved.
 THIS DRAWING IS PROTECTED BY COPYRIGHT AS AN UNPUBLISHED WORK.
 UNAUTHORIZED REPRODUCTION OF THIS DRAWING IS NOT PERMITTED.
 THIS DRAWING CONTAINS PROPRIETARY AND CONFIDENTIAL INFORMATION.
 This document is property of Nokia Corporation

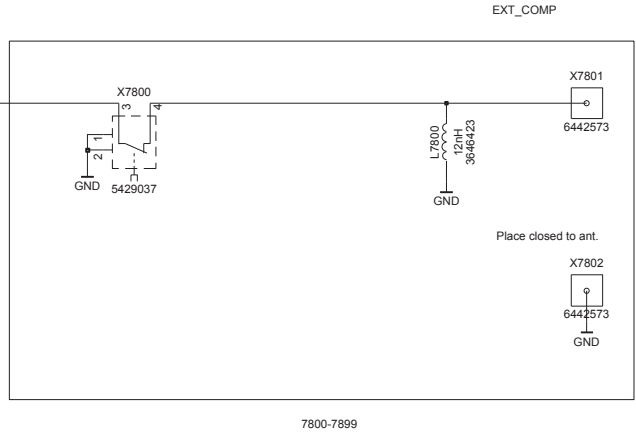


Name BB-RF Engine Top Sheet

Appr



smashed
7500-7599
With WG3.2 BB VCP1 and VCP2 pins are connected together



R50-22 with no shield

R7543: 1430778 (5%) -> 1430911 (1%)

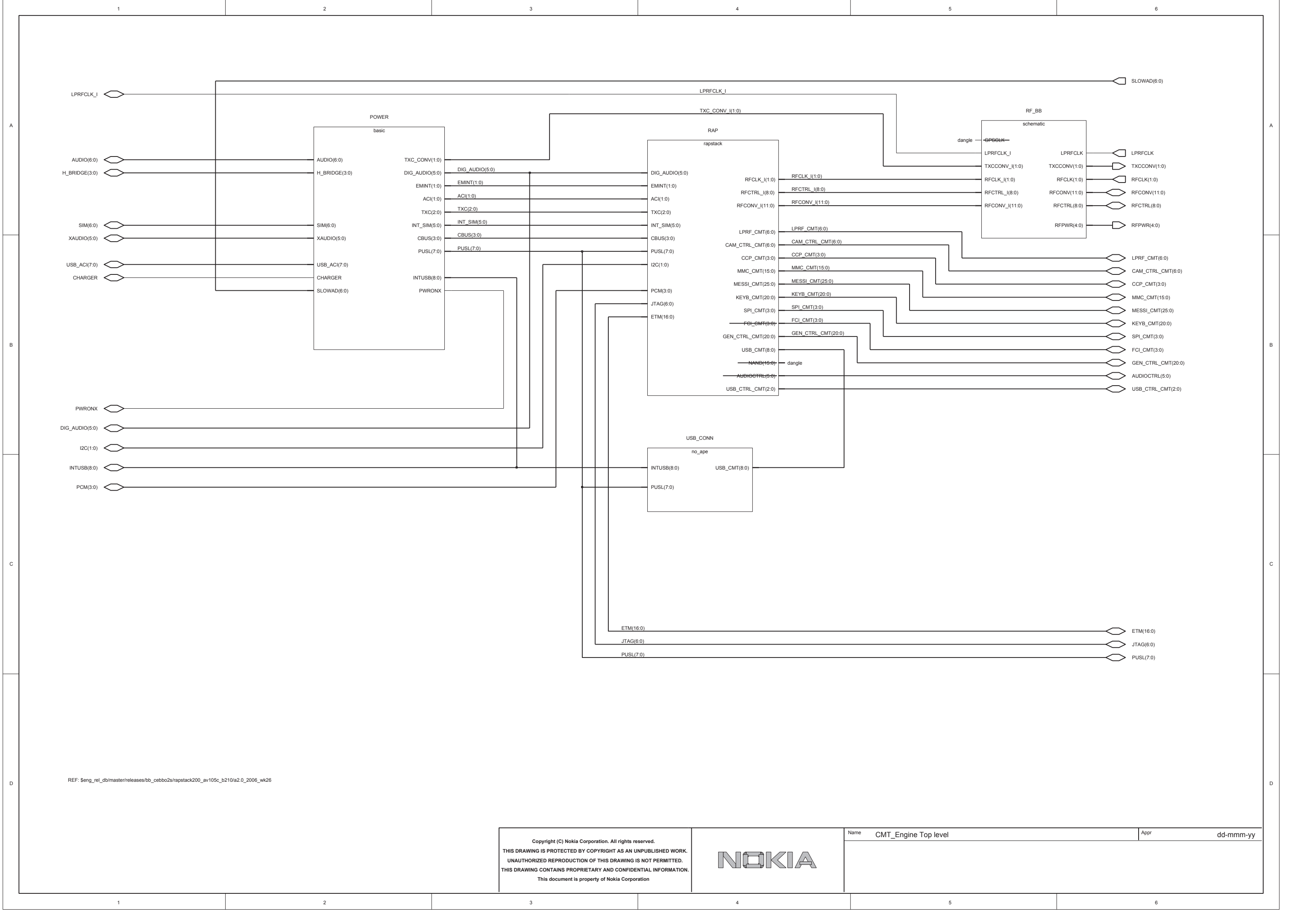
C7521: 2351009 -> 2320540

C7543: 2320505 -> 2351050

Z7503: 4000084 -> 4000118

L7503, L7506, L7550, L7591: 3203769 -> 3203855

<p>Copyright (C) Nokia Corporation. All rights reserved. THIS DRAWING IS PROTECTED BY COPYRIGHT AS AN UNPUBLISHED WORK. UNAUTHORIZED REPRODUCTION OF THIS DRAWING IS NOT PERMITTED. THIS DRAWING CONTAINS PROPRIETARY AND CONFIDENTIAL INFORMATION. This document is property of Nokia Corporation</p>		<p>Name Ritsa RF schematics</p>	<p>Appr dd-mmm-yy</p>
--	--	---------------------------------	-----------------------

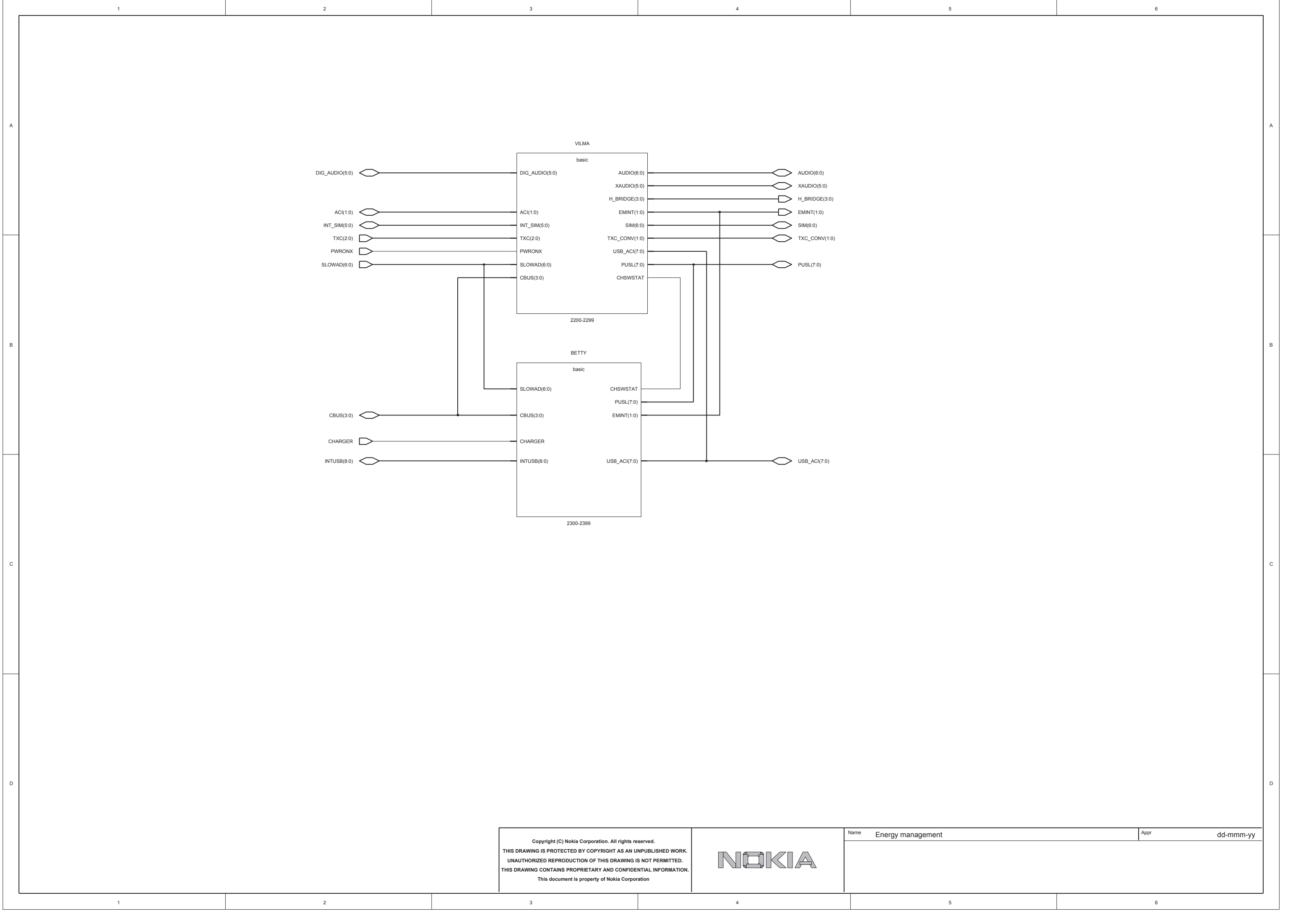


REF: \$eng_rel_db/master/releases/bb_cbb02s/rapstack200_av105c_b210/a2_0_2006_wk26

Copyright (C) Nokia Corporation. All rights reserved.
 THIS DRAWING IS PROTECTED BY COPYRIGHT AS AN UNPUBLISHED WORK.
 UNAUTHORIZED REPRODUCTION OF THIS DRAWING IS NOT PERMITTED.
 THIS DRAWING CONTAINS PROPRIETARY AND CONFIDENTIAL INFORMATION.
 This document is property of Nokia Corporation



Name CMT_Engine Top level Appr dd-mmm-yy

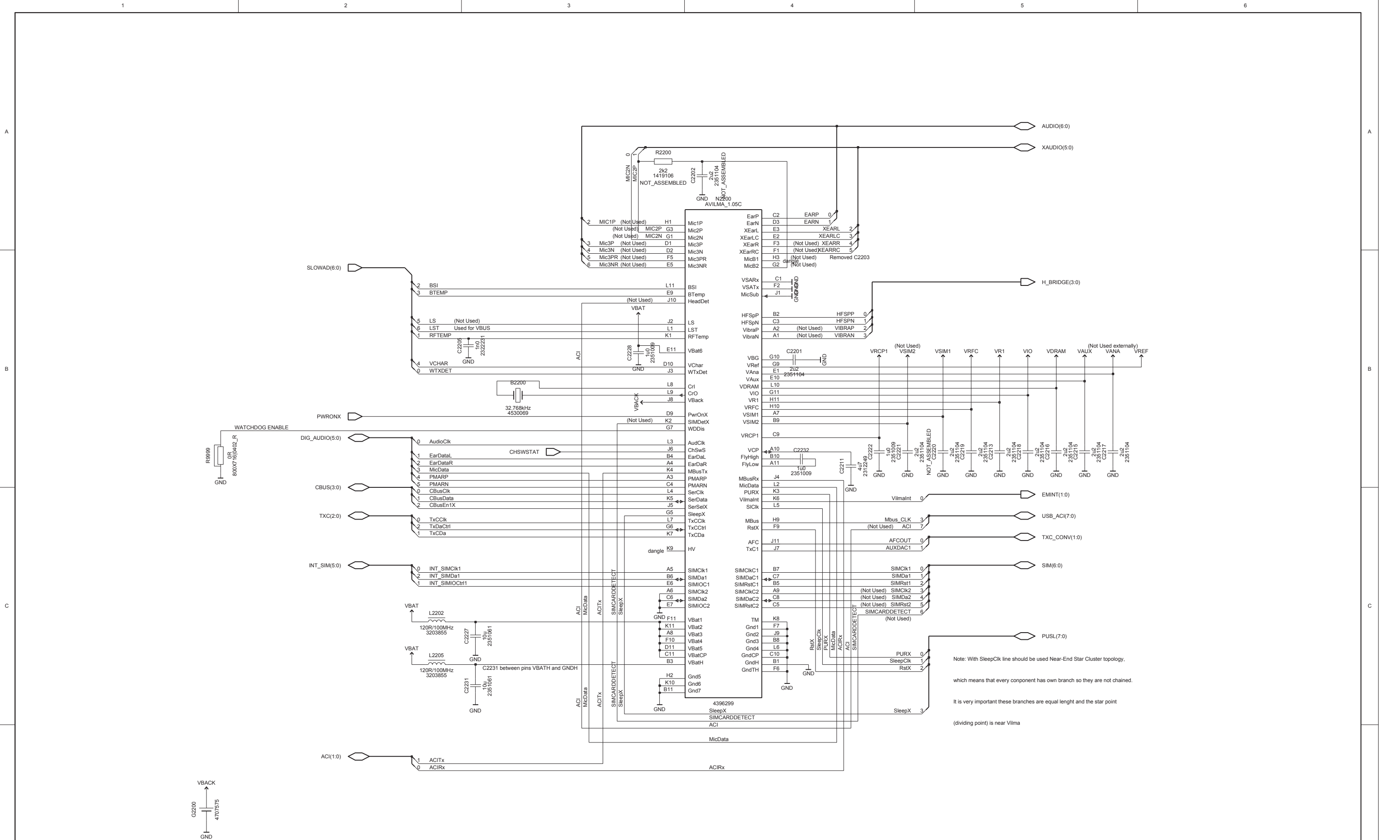


Copyright (C) Nokia Corporation. All rights reserved.
 THIS DRAWING IS PROTECTED BY COPYRIGHT AS AN UNPUBLISHED WORK.
 UNAUTHORIZED REPRODUCTION OF THIS DRAWING IS NOT PERMITTED.
 THIS DRAWING CONTAINS PROPRIETARY AND CONFIDENTIAL INFORMATION.
 This document is property of Nokia Corporation



Name	Energy management	Appr	dd-mmm-yy
------	-------------------	------	-----------

--	--	--	--



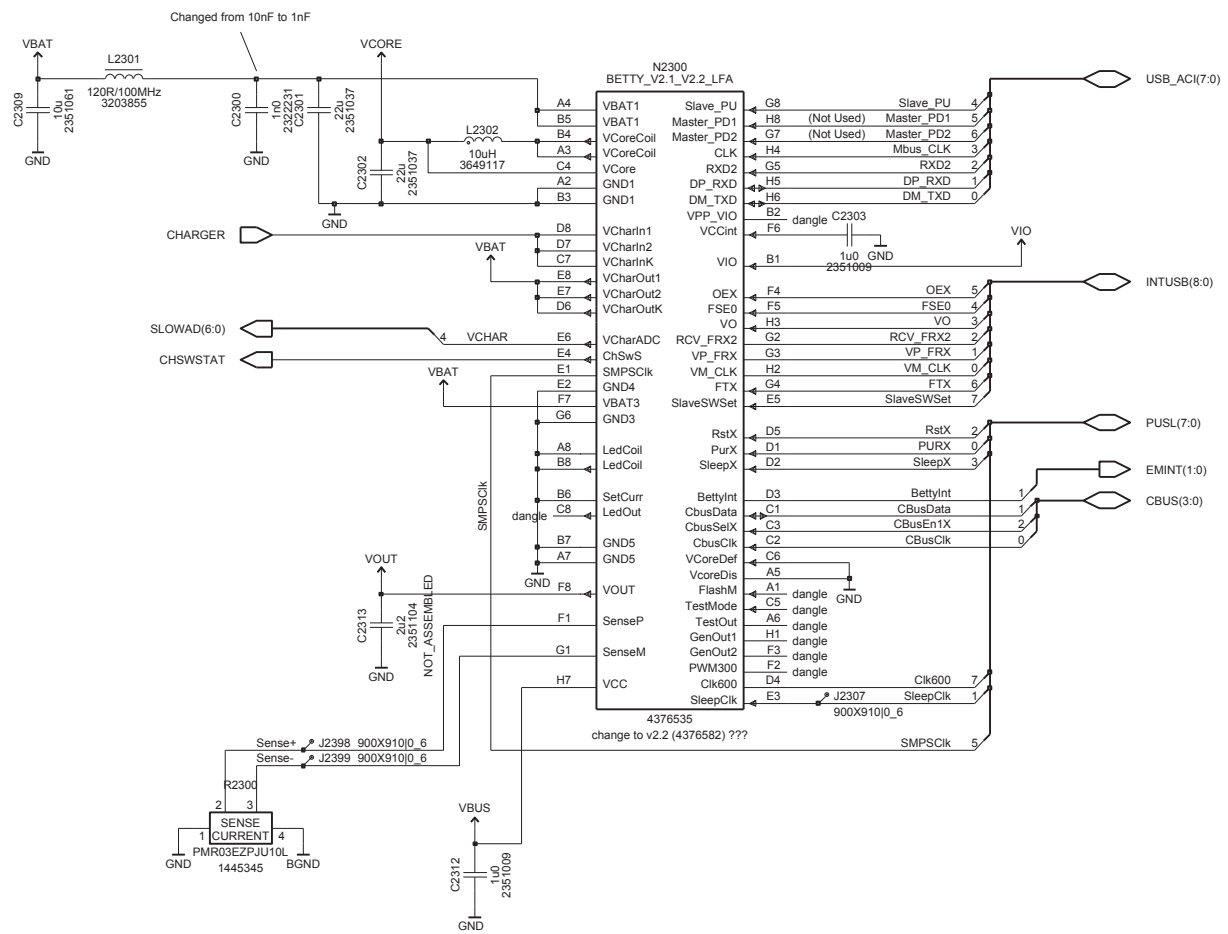
Warning to copy projects: copy the schematic and also the layout !

Reduced de-coupling capacitors requires the special power layout design

Copyright (C) Nokia Corporation. All rights reserved.
 THIS DRAWING IS PROTECTED BY COPYRIGHT AS AN UNPUBLISHED WORK.
 UNAUTHORIZED REPRODUCTION OF THIS DRAWING IS NOT PERMITTED.
 THIS DRAWING CONTAINS PROPRIETARY AND CONFIDENTIAL INFORMATION.
 This document is property of Nokia Corporation



Name Avilma Appr 10-Aug-00



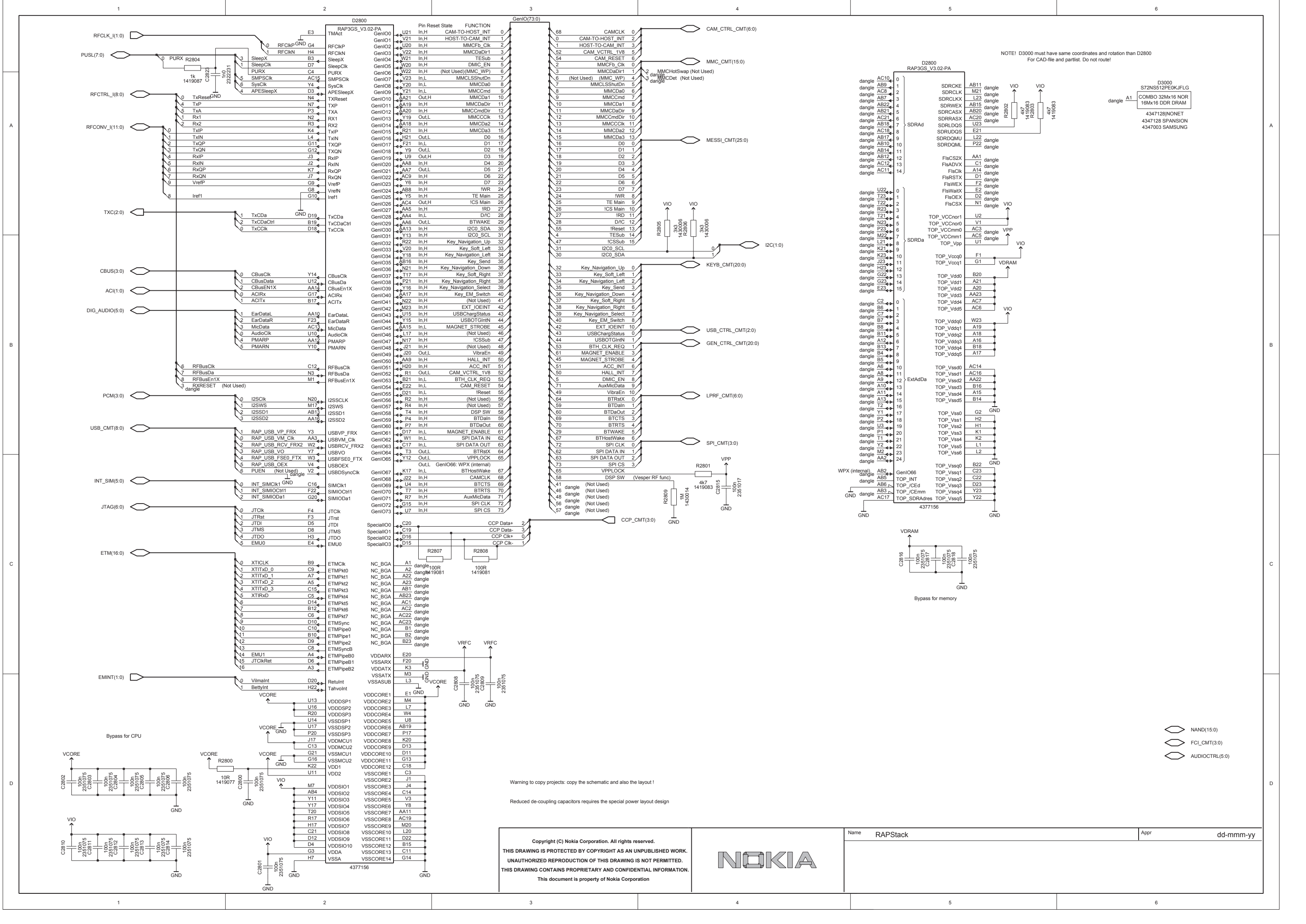
Warning to copy projects: copy the schematic and also the layout!

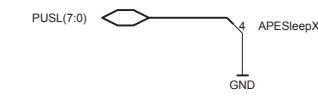
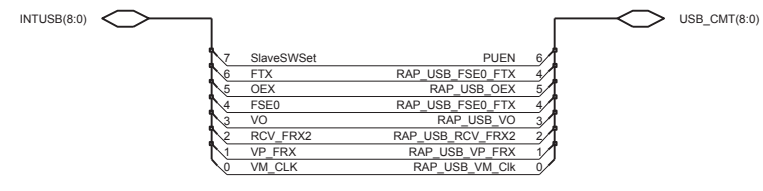
Reduced de-coupling capacitors requires the special power layout design

Copyright (C) Nokia Corporation. All rights reserved.
 THIS DRAWING IS PROTECTED BY COPYRIGHT AS AN UNPUBLISHED WORK.
 UNAUTHORIZED REPRODUCTION OF THIS DRAWING IS NOT PERMITTED.
 THIS DRAWING CONTAINS PROPRIETARY AND CONFIDENTIAL INFORMATION.
 This document is property of Nokia Corporation



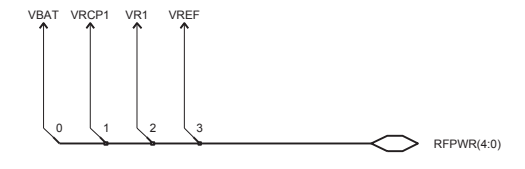
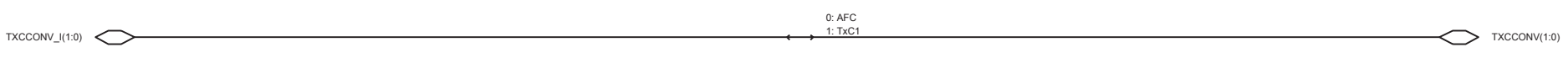
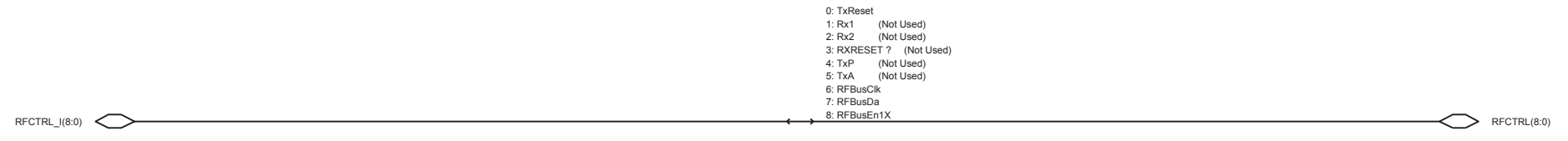
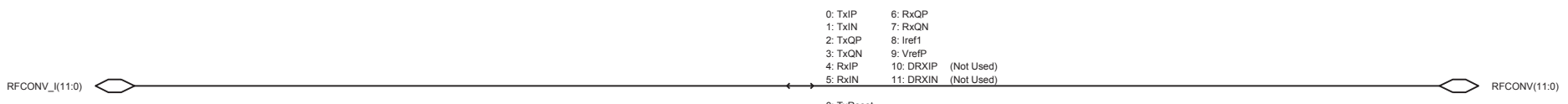
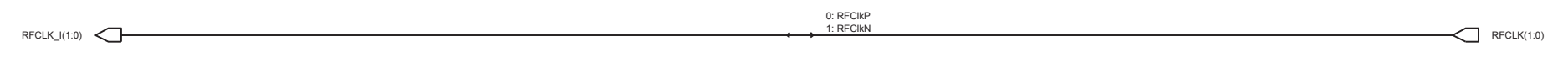
Name Betty Appr 10-Aug-00

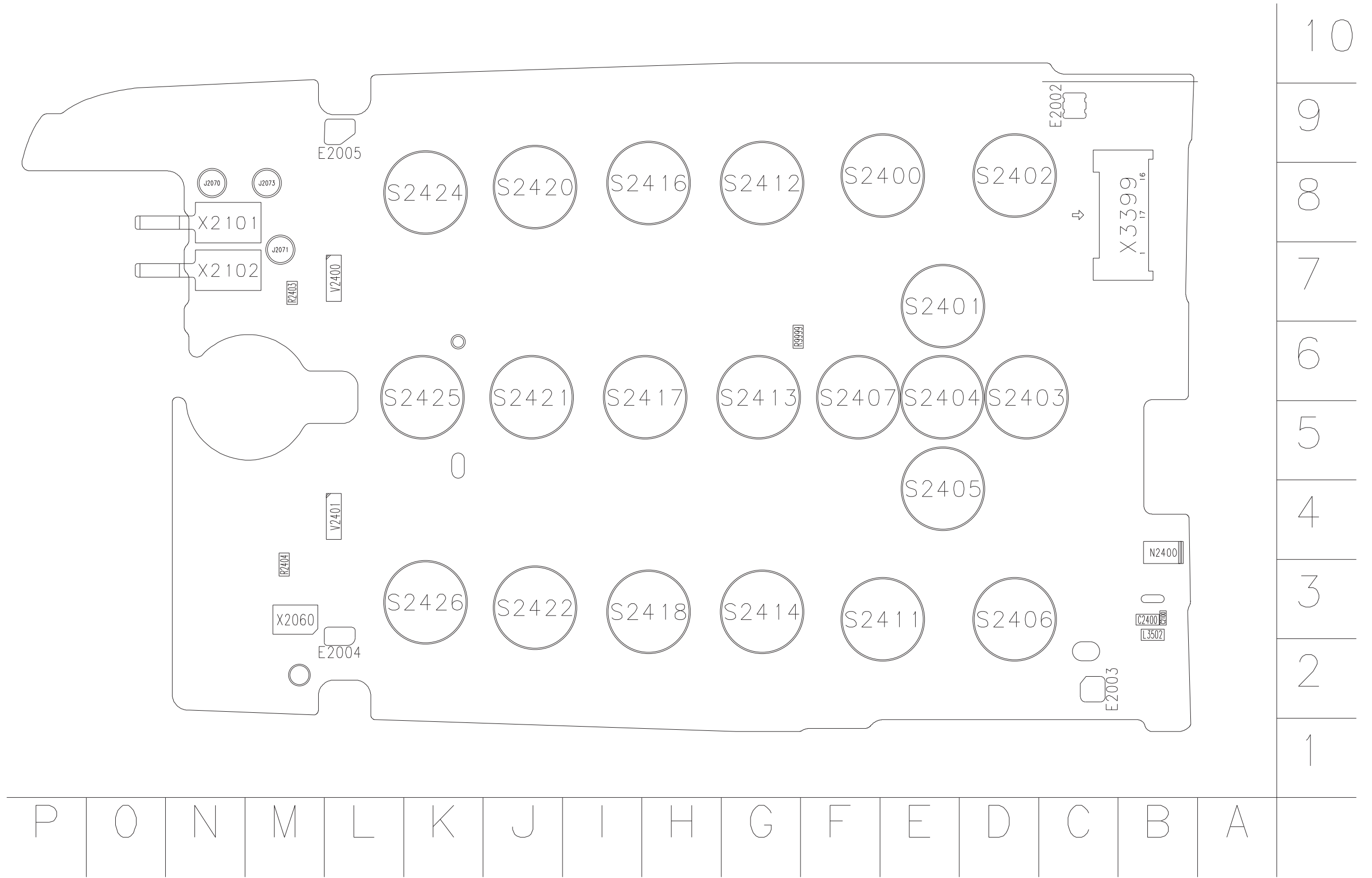




CBB5X

TOP SHEET





P	O	N	M	L	K	J	I	H	G	F	E	D	C	B	A
---	---	---	---	---	---	---	---	---	---	---	---	---	---	---	---

10	9	8	7	6	5	4	3	2	1
----	---	---	---	---	---	---	---	---	---

